



Safe and sustainable solutions.
Product brochure.

Turning competence into dependable construction.

Welcome to Schöck!

Schöck products have been synonymous with safe, efficient and dependable construction for more than 50 years. We live by our motto “Dependability creates competence in construction”. We would like to introduce you to our company and our products in this brochure.





| | | |
|------|-----------|--|
| Page | 04 | About us Who we are and what we stand for |
| Page | 10 | Thermal break technology Schöck Isokorb®, Schöck Isolink® and Schöck Novomur®: for thermal bridge prevention |
| Page | 40 | Impact sound insulation Schöck Tronsole®: effective impact sound insulation for stairs |
| Page | 36 | Reinforcement technology Schöck Dorn and Schöck Bole®: for lean, sustainable construction |
| Page | 48 | Glass fibre reinforcement Schöck Combar®: glass fibre rebar for special construction |
| Page | 52 | Shuttering elements Schöck ASE: Pre-finished formwork for precast concrete elements |
| Page | 56 | Case studies Successful installations from around the world |
| Page | 58 | Contact Schöck around the globe |

Technology made in Germany.

Quality and safety around the world.



In addition to its headquarters in Germany, Schöck operates 13 international sales offices. The company is represented by partners in 17 more countries. The German parent company in Baden-Baden was founded in 1962 by civil engineer Eberhard Schöck and continues to follow the tradition of producing innovative construction solutions. We focus on developing and manufacturing trend-setting products offering enormous thermal benefits and special material and installation properties in response to the requirements of the construction industry. Our portfolio includes solutions for reducing thermal bridges in structural elements that penetrate through the building envelope, such as balconies, solutions for avoiding impact sound transmission from staircases, and thermally breaking facade support structures, as well as specialized reinforcement technology.

Open transfer of expertise.

Our thermal solutions have changed how planners and builders work in many markets. And the superior quality and safety of our products set the benchmark for energy efficient and convenient construction. We greatly appreciate feedback from our customers. Many ideas that reach us straight from the building site are incorporated into the development of new products.

Certifications and approvals

Schöck has been certified in a wide range of areas from impartial and internationally acknowledged institutes.

Worldwide research and development:

Global cooperation

Architecture is constantly having to face new challenges from new style trends to stricter energy regulations and new construction materials. This is why Schöck cooperates with the world's leading research institutes and universities. By working on joint projects and exchanging lessons learned, Schöck can continuously improve its products and extend its technological lead.

The requirements in terms of construction products are not the same everywhere. So it is reassuring to know that Schöck solutions have been certified by numerous technical certification agencies and recognized institutions around the world. And that we are constantly striving to improve our products in collaboration with international partners. So you can be sure of opting for the right product each time – no matter where you are.



Technical approvals by DIBt, the German Institute for Construction Technology



The BBA issues technical approvals for construction products in the UK



Energy-efficient installation in passive houses: Components certified by the German Passive House Institute



European Technical Approval (ETA) with CE mark



Delft University of Technology, Netherlands



Munich Technical University, Germany



Environmental Product Declarations (EPD) provide the data basis for environmental building assessment.

Schöck Products - made in Germany.

Insights into our production.

Schöck develops and manufactures its products in Germany. Three production facilities in Germany alone have different areas of production focus, e.g. steel fabrication, production of Schöck Tronsole®, manufacture of

Schöck Isokorb® components or part assembly. Three further production sites are operated in Europe: in Austria, Poland and Hungary.



Continuous product improvement.



Production quality is subject to rigorous inspection.



Top-quality stainless steel is used to make the reinforcement in the Isokorb®.



Precise manufacturing is verified with quality control.



Step by step to a dependable product.



Final quality check prior to delivery.

Foundations for successful construction projects.

Design, customer service and logistics.

Our in-house engineering and sales team can help

Whether your solution is standard or customized, we ensure you are in safe hands, starting at the planning stage. Our experienced international team can offer you expert support tailored to your individual project requirements, answering your questions on structural design or installation and offering advice over the telephone or by e-mail, including detailed calculations and solutions for your specific project.

▶ **Tender support**

Help in creating or answering tenders.

▶ **Design support**

Ensure correct and efficient application of Schöck solutions.

▶ **Technical proposals**

Help with any structural questions you may have.

▶ **Layout plans, details and section drawings**

Customized to fit your specific project.

▶ **Customized solutions**

For non-standard requirements or installation situations.

▶ **Contact**

Tel.: +49 7223 967-144

export@schoeck.com

www.schoeck.com/contact



Cost-efficient, sustainable and quality design creates a solid foundation for a successful construction project. Schöck offers comprehensive support to help you: Schöck design engineers can answer all your questions on structural design and installation.

From enquiry to delivery

Rest assured that Schöck will deliver as per your request. The international team at Schöck can advise you on questions relating to your order and on logistics requirements, and tracks the delivery of your consignment right to its destination.



Comprehensive information online

Obtain product information, certificates and detailed information on the effects of thermal bridges from the Schöck website. Reference projects and videos are also available online. www.schoeck.com



Build balconies for the future.

Efficient thermal insulation for reinforced concrete connections.



Thermal bridges from cantilevered building element connections are frequently the cause of increased heat loss and contribute to cold, damp walls. With Schöck Isokorb®, we have developed an effective solution to this. As a load-bearing, thermal insulation element, it combines two functions, creating both a thermal break between reinforced concrete components and their structural connection.



Glass fibre instead of steel.

Schöck Isokorb® CXT.

A new chapter for thermal breaks

The energy conservation regulations applying to new buildings in the European Union have become stricter. With them, building insulation requirements are becoming even more demanding. Which means that thermal bridges are playing an increasingly important role in a building's energy footprint.

The advantages

▶ The best thermal insulation

The use of glass-fibre composite material achieves up to 30% better thermal insulation performance.

▶ Fire protection at no extra cost

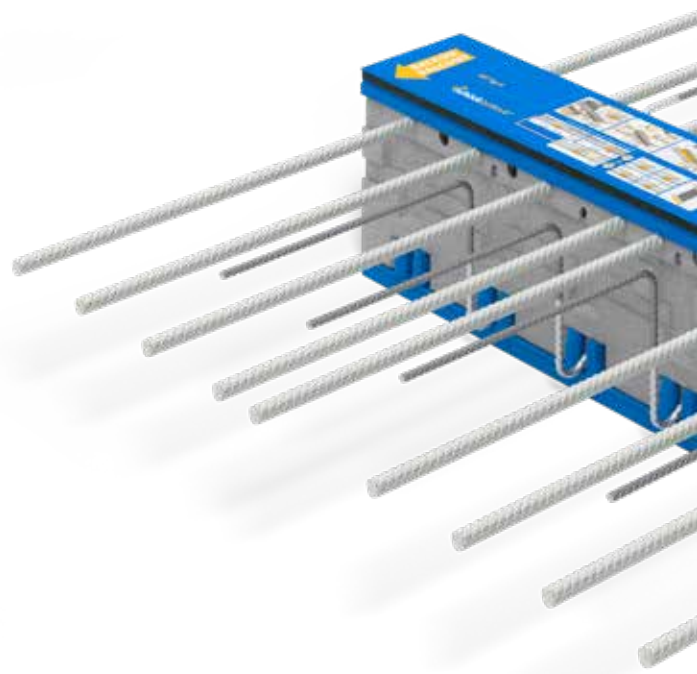
The fire protection variant with up to REI 120 minutes is available with no surcharge.

▶ Combination options with other products

Schöck Isokorb® CXT can easily be used in combination with other types from the Schöck Isokorb® XT product range.

▶ Safe and reliable

Building approval, type certification and fire-resistance classification attest to its safety.



The requirements for energy efficiency are continuously increasing together with market costs. Schöck Isokorb® CXT with glass-fibre composite material provides the answer to these challenges and offers other positive properties, in addition to excellent thermal insulation and cost efficiency.

► **For more information and literature:**

www.schoeck.com

export@schoeck.com

Tel.: +49 7223 967-144



Lighter and more compact

The use of glass-fibre composite material has enabled a weight reduction of up to 30%. Even high load capacity variants can easily be handled by just one installer. Installation in the prefabricating plant or on the building site is therefore even simpler. The product's reduced weight and compact shape are also a result of using significantly shorter bars, enabling a more effective construction process.



Build balconies for the future.

Efficient thermal insulation for reinforced concrete connections.



Thermal bridges in structural elements that penetrate through the building envelope, such as balconies, are an important cause of increased heat loss, condensation and mould formation. Schöck Isokorb® is your effective answer. As a load-bearing thermal insulation element, it provides a thermal break between reinforced concrete components while at the same time complementing the structural design. Schöck is continuously setting new standards in this field.



Concrete-to-concrete balconies.

The Schöck Isokorb®.

The benefits

The Schöck Isokorb® is a tried and trusted system you can rely on. It has been deployed successfully around the world for 30 years. The HTE (High Thermal Efficiency) compression modules are made of high density microfibre reinforced concrete. High quality stainless steel components ensure corrosion protection and optimize thermal performance.

► Broad range of applications

You will find just the solution you need, no matter what the application.

► Superb insulating performance

The product has a uniquely low thermal conductivity.

► Two-hour fire protection

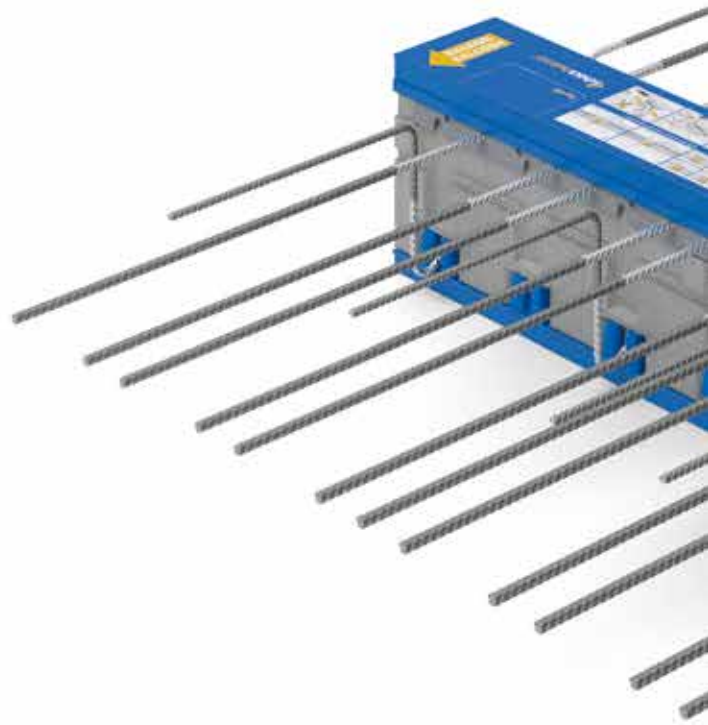
Satisfies the requirements of REI 120, the stringent European fire resistance class.

► Easy to install

Fast “drop-in” installation – averaging less than five minutes per unit.

► Certified quality

Schöck Isokorb® products are approved by DIBt, the German Institute for Construction Technology, and certified by the Passive House Institute in Darmstadt, Germany. They are also certified by numerous international regulators such as the BBA and CSTB.



The clear safety labels on Schöck Isokorb® makes it easy to ensure correct installation.

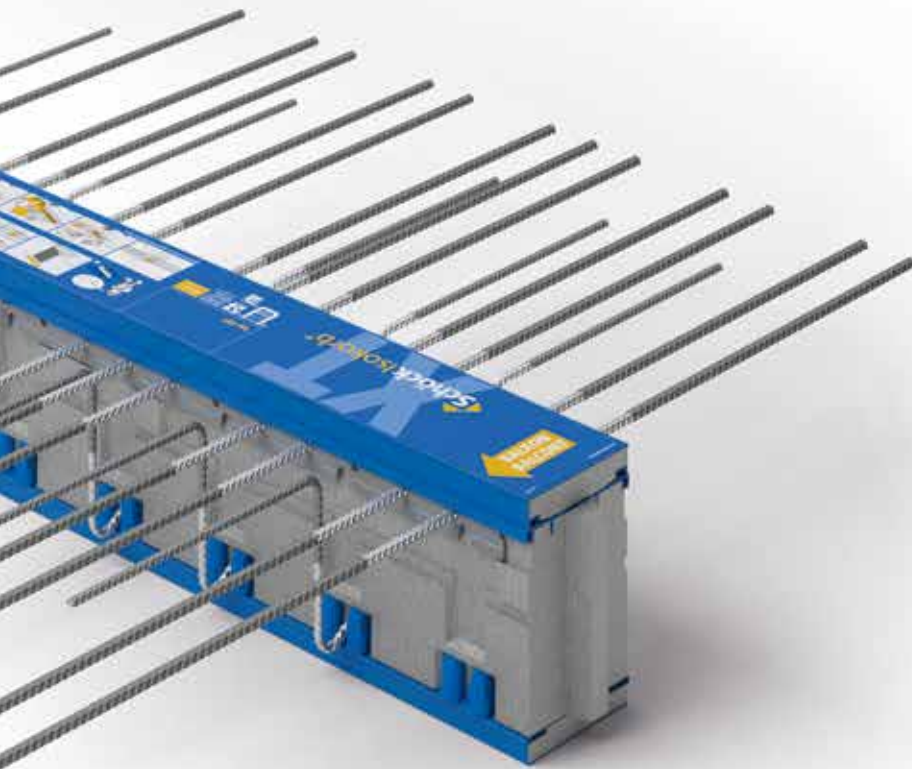
Schöck Isokorb® XT with superior thermal insulation performance is constantly raising the benchmark for energy efficient construction: The new generation of this load-bearing thermal insulation element allows you to minimise thermal bridges even more effectively – ideal for complying with energy conservation regulations (EnEV) and for building to passive house standards. The extended product range now offers even more scope for treating structural thermal bridges.

► **For more information and literature:**

www.schoeck.com

export@schoeck.com

Tel.: +49 7223 967-144



Schöck Isokorb® Huge options for all applications

Schöck has grown to become Europe's leading supplier of innovative load-bearing insulation products. The main product is the Schöck Isokorb® – a thermal break for projecting structural elements in new buildings and renovation projects. The Schöck Isokorb® product range offers load-bearing thermal insulation solutions for a variety of applications including balconies, canopies, sun shades and even parapets. These Passive House certified solutions can connect concrete-to-concrete, concrete-to-steel and steel-to- steel structural elements.

Stand out with your concrete-to-steel balconies.
The efficient solution for steel and reinforced concrete connections.



Minimizing thermal bridging is particularly important when connecting steel elements to reinforced concrete structures, as is time- and cost-effective installation on site. The Schöck Isokorb® XT type SK offers a clever solution to this challenge. This load-bearing thermal insulation element allows for efficient prefabrication of the exterior steelwork and combines structural reliability with superior thermal insulation at the structural connection.



Concrete-to-steel balconies.

Schöck Isokorb® XT type SK.

The benefits

The Schöck Isokorb® XT type SK is the optimum solution for connecting cantilevered steel elements to reinforced concrete structures. The load-bearing thermal insulation element offers:

▶ **Efficient thermal insulation**

Superbly effective thermal break between steel and reinforced concrete.

▶ **Superior load-bearing capacity**

Reliably transfers bending moments and shear forces.

▶ **Easy installation on site**

Thanks to the Schöck Isokorb® installation aid

▶ **Large freedom of design**

For free cantilevered or supported steel balconies, canopies, facade substructures or sun shades. Plenty of design options with virtually no restrictions on planning and installation.

▶ **Certified quality**

The Schöck Isokorb® XT type SK and type SQ have been approved by various international technical certification agencies.

▶ **Solution for supported steel structures**

Schöck Isokorb® XT type SQ.



The Schöck Isokorb® type KS uses state-of-the-art technology to ensure thermal breaks for modern balconies.

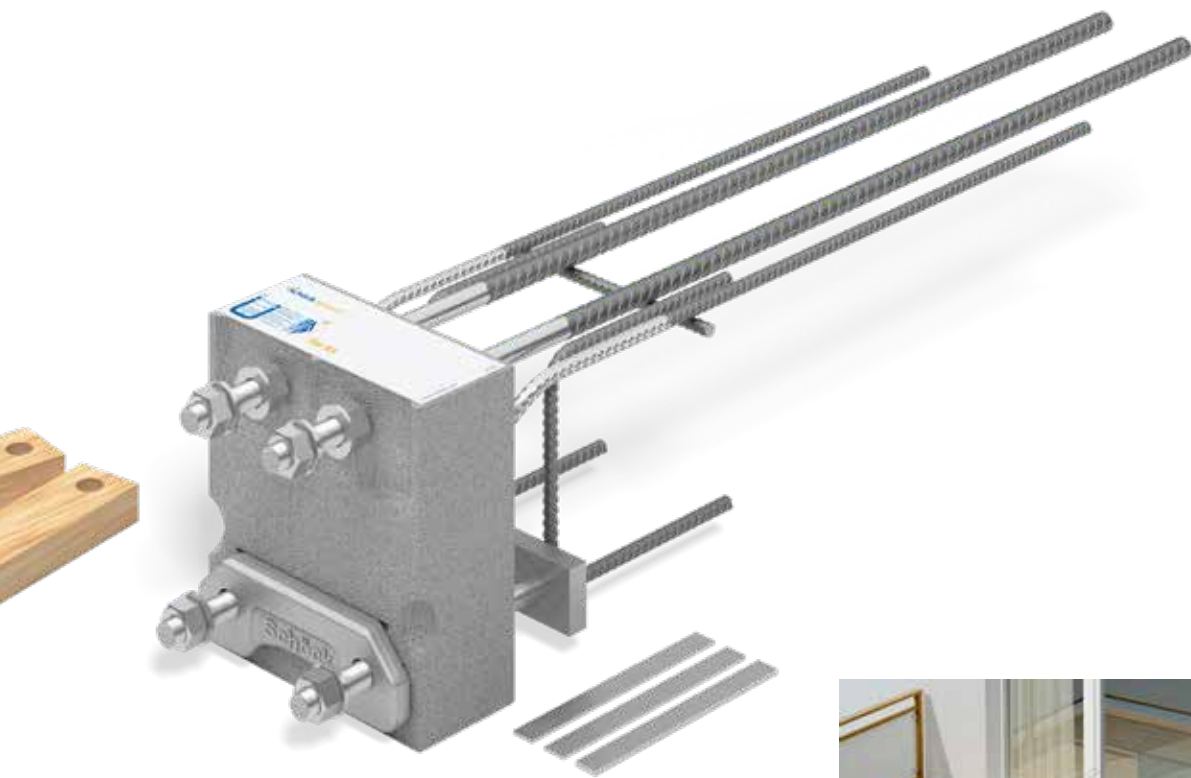
Schöck Isokorb® XT type SK is ideal for connecting steel elements to reinforced concrete structures. It minimizes thermal bridges between the components while at the same time transferring high loads, making it easy to solve the thermal and structural issues of designing modern balconies.

► **For more information and literature:**

www.schoeck.com

export@schoeck.com

Tel.: +49 7223 967-144



For connecting timber structures

When connecting timber elements to reinforced concrete structures the Schöck Isokorb® XT type SK can also be used to provide an effective thermal break.

Stay ahead on steel structures.

The insulated structural solution for steel-to-steel connections.



Whether canopies or balconies, cantilevered or supported structures, the Schöck Isokorb® T type S is ideal for steel-to-steel connections – secure and structurally optimized for new buildings and renovation. This modular thermal insulation element reliably mitigates the risk of condensation, mould formation and corrosion.



Steel-to-steel canopies and balconies.

Schöck Isokorb® T type S.

The benefits

Don't compromise when it comes to steel connections; opt for the efficient solution to prevent thermal bridges. The Schöck Isokorb® T type S offers multiple benefits:

► Thermally insulated connections

Steel structures with no risk of condensation, mould or corrosion.

► Wide range of possibilities

Modular layout permits many design options with virtually no restrictions on creativity and installation.

► Certified quality

The Schöck Isokorb® T type S has been approved by various international technical certification agencies.



Strong steel-to-steel connections. The Schöck Isokorb® T type S guarantees efficient thermal breaks.



Performance you can count on – The Schöck Isokorb® T type S reliably prevents thermal bridging at structural steel connections. It is the only thermal break product for steel construction to satisfy the load-bearing and thermal insulation requirements in steel design.

► **For more information and literature:**

www.schoeck.com

export@schoeck.com

Tel.: +49 7223 967-144

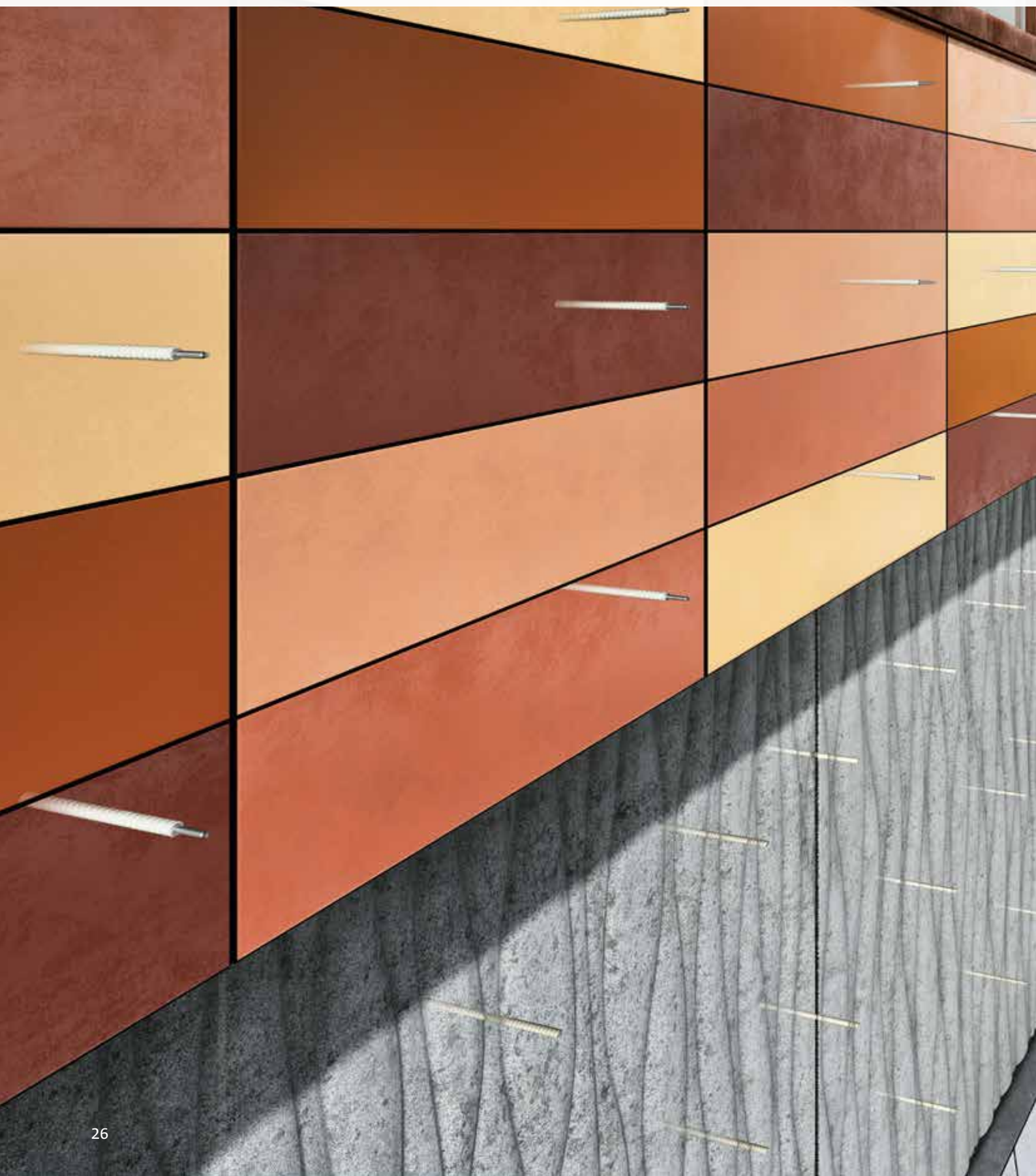


Also suitable for renovation projects

Adding balconies to renovated buildings not only improve the comfort of the home, but also increase its value. Regardless of whether the balconies are timber, steel or reinforced concrete, Schöck Isokorb® T type S can thermally separate and support balcony connections for renovation projects.



Design facades that save energy.
With innovative facade fastenings.



Working in collaboration with architects and facade builders, our company has developed a new, thermally separating fastening for rainscreen cladding facades: Schöck Isolink® type TA-S. In addition to this type, the Schöck Thermoanker types for core-insulated concrete walls that have been in use for several years have been incorporated into the new Schöck Isolink® product portfolio. This portfolio now includes all our thermally separating facade fastenings made of glass fibre composite.



The intelligent alternative to stainless steel.

Schöck Isolink® for concrete facades.

The benefits

Whether you are building a cellar in a single-family home or a multi-storey, industrial or commercial residential structure: Schöck Isolink® for concrete facades optimises the fabrication process and the thermal properties of the overall structure.

▶ Optimum insulation performance

Glass fibre reinforcement with outstanding thermal properties.

▶ Top-quality architectural concrete

The product variants equipped with depth limiter enable construction of facades and walls up to the highest quality specification.

▶ Multi-purpose application

Spacer and connecting device combined in a single product solution.

▶ Versatile use

For use with any type of insulating material.

▶ Cost-efficient storage

Saves warehousing space in prefabricating plants.

▶ Corrosion resistant

Suitable even with low concrete cover.

▶ Certified quality

Schöck Isolink® is approved by German Institute for Construction Technology (DIBt) and certified by Passive House Institute.



The Schöck Thermoanker substitutes conventional anchor solutions for sandwich and element walls.



Schöck Isolink® for concrete facades is the low-energy alternative to frequently used stainless steel lattice girders in core-insulated sandwich and element walls. The facade anchor acts as a connecting element and spacer while at the same time vastly improving the thermal insulation properties of the wall. Compact and easy to install, it also improves fabrication cost efficiency.

► **For more information and literature:**

www.schoeck.com

export@schoeck.com

Tel.: +49 7223 967-144



For suspended facades

The Schöck Isolink® is suitable, not only for supported, but also for suspended facades – thus giving planners and architects enhanced design scope.



The next generation of facade fastenings.

Schöck Isolink® for rainscreen cladding facades.

The benefits

Schöck Isolink® type TA-S is the secure and cost-efficient fastening for rainscreen cladding facades.

▶ Fastening without thermal bridges

The thermal insulation performance of Schöck Isolink® type TA-S is around 200 times better than that of aluminium wall brackets and around 15 times better than that of stainless-steel wall brackets.

▶ Easy to install

The cylindrical bar can be easily anchored within a concrete or brick wall using approved composite mortar.

▶ Superb cost efficiency

Low thermal conductivity enables potential savings of approx. 50% of insulating material compared to aluminium wall brackets.

▶ Versatile applications

Suitable for all standard rainscreen cladding facade sub-structures and for anchoring in concrete and brickwork. For both new construction and renovation projects.

▶ Certified quality

Schöck Isolink® has been approved by DIBt and awarded the highest classification of phA+ from Passive House Institute.



Rainscreen cladding facade attached with Schöck Isolink® type TA-S:
Multi-purpose hall, Volkertshausen Germany. ©Schöck Bauteile GmbH



Schöck Isolink® type TA-S is a thermally separating, glass fibre composite fastening for rainscreen cladding facades. It is installed in concrete or brickwork substrates with or without insulation. This facade anchor consists of a Combar® glass fibre bar and a stainless steel connection thread.

► **For more information and literature:**

www.schoeck.com

export@schoeck.com

Tel.: +49 7223 967-144



Example of a rainscreen cladding facade.: Training Centre, Niedersachswerfen, Germany, © Dach Schneider Weimar GmbH

Create a comfortable home.
Make it warm and dry.



Conventional masonry or thermal insulation solutions absorb moisture at the base of a masonry wall, especially during the construction phase. Insulation effectiveness deteriorates as a result. This can lead to increased thermal losses and heating costs in the finished building, as well as damage caused by the formation of condensation and mould as the wall dries out. Schöck Novomur® insulates the base of the building properly from the beginning. This water-repellent thermal insulation element provides reliable thermal insulation right from the start.



The offset block for reliable at grade insulation.

Schöck Novomur®.

The benefits

Schöck Novomur® is an energy-saving offset block for state-of-the-art buildings. This cost-efficient solution offers further benefits:

▶ Good load-bearing capacity

Adapted to various structural demands: Schöck Novomur® for apartment buildings or Schöck Novomur® light for individual houses.

▶ Effective thermal insulation

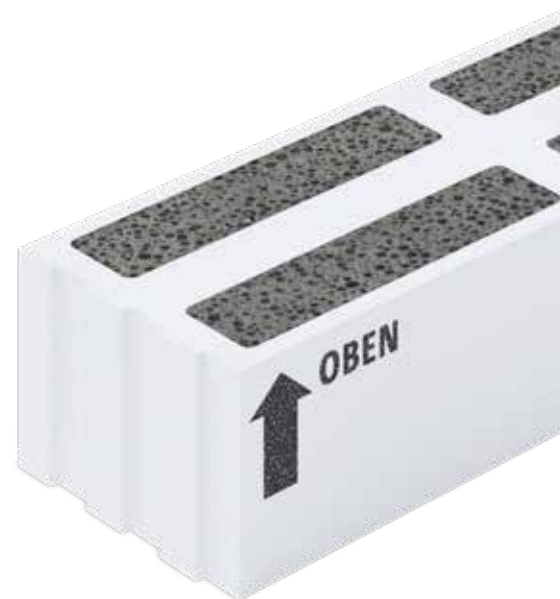
Saves heating costs and prevents damage caused by damp and mould.

▶ Water-repellent material

A dry structure and effective thermal insulation right from the start as virtually no moisture is absorbed during the construction phase.



Schöck Novomur® prevents moisture being absorbed into the masonry during the construction phase and throughout the life of a project.



Schöck Novomur® is a thermally insulating, water-repellent offset block. Schöck Novomur® ensures highly effective thermal insulation at the base of a building, and a smooth construction process workflow. Thanks to its water-repellent properties, Schöck Novomur® absorbs practically no moisture during the construction phase and thus prevents thermal bridges right from the start.

► For more information and literature:

www.schoeck.com

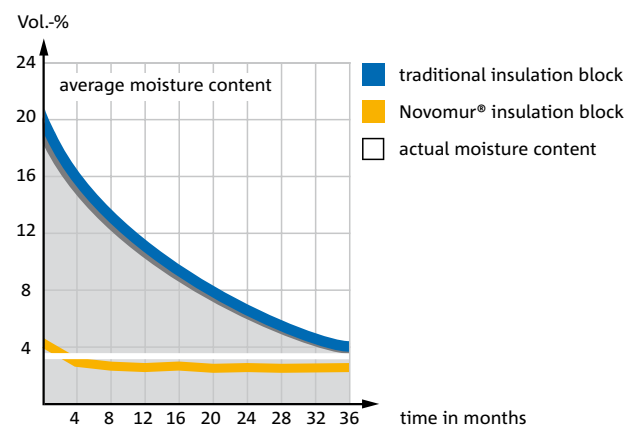
export@schoeck.com

Tel.: +49 7223 967-144



Hydrophobic properties of Schöck Novomur®

Porous masonry blocks absorb a lot of moisture in a very short time, but take several years to get rid of it again. During this time, their thermal insulation performance is extremely weak. By contrast, Schöck Novomur® is water-repellent as per DIN 4108-3, thus ensuring vastly improved thermal insulation right from the start.



Build a stairwell of silence.
Reliable impact sound insulation for staircases.



Staircase noise is detrimental to the quality of living conditions and can reduce the value of a building. For high construction quality it is recommended to include top-quality impact sound insulation in sustainability planning. Schöck Tronsole® is an efficient solution. The perfectly matching system of impact soundproofing elements combines dependable sound insulation with simple installation.



Less noise – more value.

Schöck Tronsole®

The benefits

Schöck Tronsole® is an all-inclusive system for insulating impact sound in staircases; ready for installation, reliable and effective.

▶ **An all-inclusive system that fits any staircase.**

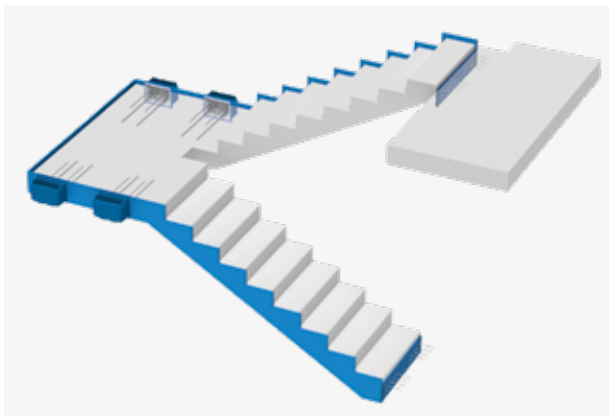
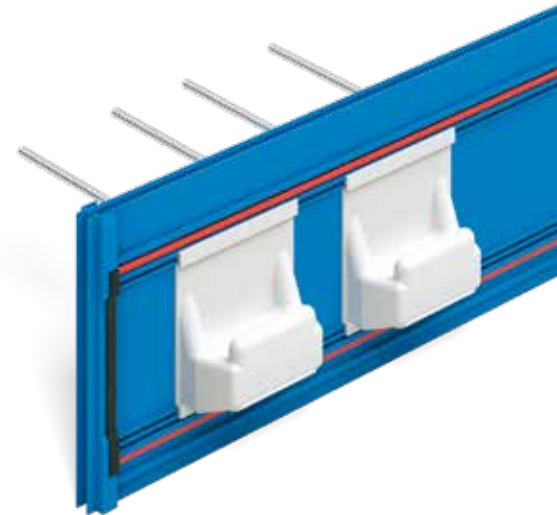
Perfectly matched and coordinated Schöck Tronsole® variants ensure efficient impact sound insulation that encompasses all structural element subsections. They can be used on both straight and winding staircases.

▶ **Reliable support for design planning and execution.**

A blue line indicates a staircase that is acoustically insulated throughout with Schöck Tronsole. During planning and installation, this blue line serves as the seal of quality for superior impact sound insulation.

▶ **Straightforward installation, without acoustic bridges**

Schöck Tronsole® products are not only ready for installation; they also seal joints, thus minimising the risk of acoustic bridges. For a perfect result, without acoustic bridges.

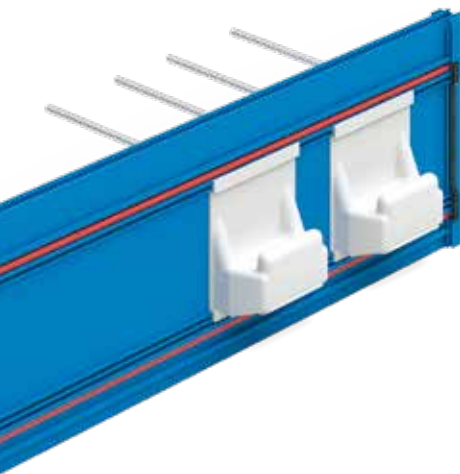


Impact sound-insulated staircase system with landing and straight stairs.

Optimum impact sound insulation is only achievable by using a system that considers all of the components and connections of the staircase. Schöck Tronsole® gives you the reassurance of components that are perfectly matched to each other. So you can rely on an integrated system that encompasses all structural element subsections.

► **For more information and literature:**

www.schoeck.com
 export@schoeck.com
 Tel.: +49 7223 967-144



Soundproofing certification for homes and buildings.
 The German Acoustics Society (Deutsche Gesellschaft für Akustik e.V., DEGA) has defined distinct soundproofing classes to classify sound insulation in buildings. They are easy to understand and can be used to agree specific soundproofing levels between property owners and planners.

Classification of Schöck Tronsole®
 Staircases insulated with Schöck Tronsole® are classified under the DEGA soundproofing system as class B or even A. The impact sound insulation performance of Schöck Tronsole® ranges from 27 dB to 34 dB. A reduction of 10 dB is equivalent to halving the perceived volume.

| $L'_{n,w}$ | Noises from walking are | DEGA |
|------------|-------------------------|------|
| ≤ 33 dB | inaudible | A* |
| ≤ 39 dB | inaudible | A |
| ≤ 43 dB | slightly audible | B |
| ≤ 48 dB | audible | C |
| ≤ 53 dB | clearly audible | D |



$L'_{n,w}$ = Standard impact sound pressure level in rooms requiring insulation

Create flexible connections.

With hidden expansion joints.



Whether you are installing concrete slabs in high-rise buildings or for an underground garage floor, expansion joints effectively prevent cracks caused by shrinkage or temperature movement. Conventional expansion joint designs, such as corbels are, however, laborious to install and take up a lot of space. Schöck Dorn is an economically viable alternative. This intelligent solution simplifies the planning and execution of expansion joints while at the same time making the best possible use of the available space.



Fit for heavy duty joints.

Schöck Dorn.

The benefits

Save time and money when designing expansion joints. Schöck Dorn is our intelligent alternative to conventional designs:

▶ Simplified planning

Design planning with Schöck Dorn is fast and efficient with Schöck's structural design and calculation software.

▶ Sustainable and maintenance free

Made of non-corroding stainless steel.

▶ Cost-efficient design

No corbels, double walls or columns required for slab joints.

▶ Superb fire protection properties

Fire resistance class R120 with optional fire protection collar.

▶ Tested safety

Schöck Dorn is tested to EC2 of the German Institute for Construction Technology (DIBt) and approved for joint widths up to 60 mm.



Schöck Dorn ensure easy planning, simple reinforcement layouts and easy execution, even of complex expansion joints.



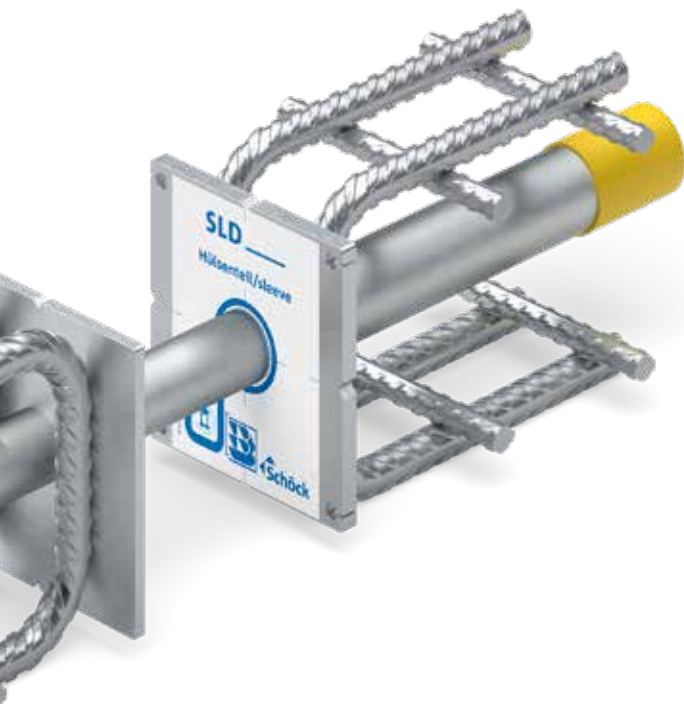
Schöck Dorn easily and reliably transfers high shear forces in structural joints. It simplifies planning and execution, giving it a huge edge over conventional joints requiring corbels, curbs or steps. The reinforcing element is made of non-corroding stainless steel, and is supplied ready for installation: for secure, maintenance-free connections.

► **For more information and literature:**

www.schoeck.com

export@schoeck.com

Tel.: +49 7223 967-144



Schöck Dorn type LD. Simply strong.

Schöck Dorn type LD with enhanced load-bearing capacity and fire resistance classification R120 per European Technical Assessment offers maximum planning certainty in connecting adjoining structural elements without the need for added construction measures. It transmits shear forces while assuring the necessary flexibility at the same time.



Enabling your slim design.

Effective reinforcement for flat slabs.



The high load transfer around the columns on flat slabs and foundation plates can lead to punching shear failure. Schöck Bole® can prevent this: the reinforcement is ready for installation and assures optimum force absorption around the column area, thus resisting punching shear. In doing so, Schöck Bole® offers enhanced scope for delicate architectural design – with no need whatsoever for column capitals or drop panels.



Reliable punching protection.

Schöck Bole®.

The benefits

Schöck Bole® combines excellent planning certainty with benefits to execution. It plays a key role in ensuring reliable and cost-efficient construction:

- ▶ **Dependable force resistance**
Flattened heads reliably anchor the forces.
- ▶ **Easy to assign**
Thanks to positioning details on the information tag.
- ▶ **Slim flat slabs**
Enhanced load-bearing capacity enables slimmer slabs.
- ▶ **Elements ready for installation**
For fast and reliable installation on site or at the pre-fabricating plant.
- ▶ **Simplified planning**
Schöck Bole® comes complete with structural design and calculation software for fast and efficient design.
- ▶ **Tested safety**
European Technical Assessment with CE mark as per ETA-13/0076.



Schöck Bole® is installed from the top after the bottom reinforcement layer has been placed – for easy installation on site or at the prefabricating plant



Cost efficient, reliable and ready for installation: Schöck Bole® is an efficient solution when reinforcing flat slabs with shear studs. It guarantees optimum force resistance around columns and prevents punching shear failure. The reinforcement element is easy to install, either at the prefabricating plant and on site.

► **For more information and literature:**

www.schoeck.com

export@schoeck.com

Tel.: +49 7223 967- 144



Enhanced options

Schöck Bole® can also be used for transverse reinforcement in balconies or floor slabs.



Feel secure in any surroundings.
Reinforcement technology for special building structures.



Steel reinforcement has its limits in corrosive environments or areas that are sensitive to electro-magnetic influence. This is why Schöck Combar® is ideal for use in the structure of special buildings. The material strength of this glass fibre reinforcement are similar to reinforcing steel, but it doesn't rust or magnetize, and is neither electrically nor thermally conductive. It is a high-strength and durable building material that opens up whole new perspectives for engineers and builders.



The durable reinforcing alternative.

Schöck Combar®.

The benefits

The high-quality ingredient materials and a unique machining process give Schöck Combar® reinforcement its outstanding structural, physical and chemical properties. The glass fibre reinforcement is particularly suitable for the following applications:

▶ Electricity transmission

Avoids induction and stray currents in the surrounding reinforcement.

▶ Temporary reinforcement in civil works

Easy for tunnel boring machines to drill through.

▶ Sustainable infrastructure

High-strength and corrosion resistant.

▶ Certified safety

All of the components in the Schöck Combar® portfolio have been tested to German DiBt approval specifications.

▶ Facade construction

Corrosion resistant, minimum concrete cover is required.

▶ Research facilities

Unaffected by operation of electro-magnetic laboratory equipment.

▶ Tram trackways

Avoids interference of trackway reinforcement and signalling systems.

▶ Building health

Preserves the natural geomagnetic field



Schöck Combar® fiberglass reinforcement is ordered and installed like conventional reinforcing steel.



Schöck Combar® is a coated glass fibre reinforcement bar that is either straight, has studded ends, or is bent, and guarantees lasting structural stability. The material is corrosion resistant, non-magnetic, much lighter than steel and neither electrically nor thermally conductive. All of which makes Schöck Combar® the ideal reinforcement for corrosive environments or for areas exposed to electro-magnetic fields. As it is easily machinable, Schöck Combar® is also ideal for temporary reinforcement in civil works such as mine or subway shafts.

► **Contact and advice:**

A dedicated team of specialist advisors is available to help with the widely diverse applications of Combar® reinforcement.

www.schoeck.com/combar

combar@schoeck.de

Tel.: +49 7223 967-567



Material properties

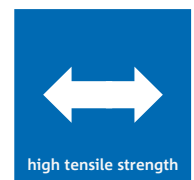
Proof of 100 years durability has been documented for all Schöck Combar components as per fib (The International Federation for Structural Concrete).



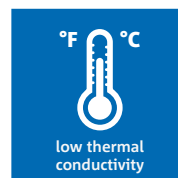
non-conductive



non-magnetic



high tensile strength



°F °C
low thermal
conductivity



FeO
non-corrosive



easily machinable

Create the perfect frame.
The lean solution for formwork.



Formwork made of timber or polystyrene are frequently used in the manufacture of prefabricated concrete elements. The subsequent removal and disposal of the formwork and post-processing of the concrete elements costs both time and money. This is not the case with Schöck ASE shuttering elements. Made of high density fibre-reinforced concrete, they create a high-quality finish for walls, floors and openings. And because they eliminate the need to remove the formwork, Schöck ASE enables lean, cost-efficient fabrication, both at the prefabricators' plant and on site.



The perfect finish for concrete construction elements.

Schöck ASE shuttering elements.

The benefits

Schöck ASE shuttering elements ensure a high quality finish for concrete elements. They offer many benefits, both at the prefabricating plant and/or on site:

▶ Easy to install

Improved efficiency at the prefabricating plant or on site.

▶ Save time and money

No need to remove struts and dispose of conventional formwork.

▶ Strong connection

The profile on the back ensures optimum grip in wet concrete.

▶ The right size for each application

A broad range of products for door openings, balconies, slabs and staircases.



Schöck ASE shuttering elements combine lean construction with clean surfaces.



Schöck ASE shuttering elements improve the finish of concrete elements and plays a key role in ensuring efficient production. The smooth surfaces are ready for painting and eliminate the need for time-consuming finishing treatment. There is no need for costly and time-consuming temporary timber or polystyrene formwork, also saving disposal costs.

► **For more information and literature:**

www.schoeck.com

export@schoeck.com

Tel.: +49 7223 967-144



High quality concrete finish

Unlike conventional formwork, Schöck ASE eliminates the need to post-treat the concrete surface. These shuttering elements have a clean, homogeneous concrete surface without any cavities, creating a high quality finish that is ready for painting.



Case studies.

Successful installations from around the world.





Schöck structural thermal break solutions play a key role in improving energy efficiency and thermal comfort, and preventing condensation and mould issues at concrete and steel connections. They have but one downside – once installed, they are no longer visible to those who benefit the most from their installation.



① Aqua Tower, Olympic Games, London, UK, Schöck Isokorb®, Photo: Olympic Delivery Authority ② Hypercube Skolkovo, Moscow, Russia, Schöck Isokorb®, Photo: Bernaskoni ③ Riverwalk, London, UK, Schöck Isokorb® ④ Zölly housing complex, Zölly, Switzerland, Schöck Isolink®, Photo: Losinger Marazzi ⑤ Comandante Ferraz Antarctic Station, Antarctica, Schöck Isokorb®, Photo: Afaconsult / Estúdio 41 ⑥ Albion Riverside, London, UK, Schöck Isokorb® ⑦ Green Village, Eisenstadt, Austria, Schöck Isokorb® ⑧ LIDO Residential Tower, Vancouver, Canada, Schöck Isokorb®, Photo: Bosa Properties ⑨ Fulton Street Transit Center, New York, USA, Schöck Isokorb®, Photo: MTA ⑩ The House at Cornell Tech, New York, USA, Schöck Isokorb® ⑪ Le Toison d'Or, Brussels, Belgium, Schöck Isokorb®, Photo: Jaspers-Eyers architects ⑫ US Bank Stadium, Minneapolis, USA, Schöck Isokorb®

Here to help you.

Schöck is at your service around the globe.

-  Sales offices
-  Partners



Europe

Austria

Schöck Bauteile Ges.m.b.H
Tel.: +43 1 7865760
office@schoeck.at

Belgium

Schöck België bvba
Tel.: +32 9 261 00 7
info@schock-belgie.be

Croatia

Nosivi Građevinski
Elementi d.o.o.
Tel.: +385 1 3378 924
info@schoeck.hr

Czech Republic

Schöck-Wittek s.r.o.
Tel.: +420 553 788 308
wittek@wittek.cz

Denmark

HauCon A/S
Tel.: +45 86 22 93 93
info@haucon.dk

Finland

HauCon Finland Oy
Tel.: +358 207 430 890
info@schoeck.fi

France

Schöck France SARL
Tel.: +33 3 88 20 92 28
etudes@schoeck.fr

Germany

Schöck Bauteile GmbH
Tel.: +49 7223 967-0
schoeck@schoeck.de

Hungary

Schöck Hungária Kft
Tel.: +36 23 50727
info@schoeck.hu

Ireland

Contech Accessories Ltd.
Tel.: +353 59 9151 350
sales@contech-accessories.ie

Italy

Schöck Italia GmbH S.r.l.
Tel.: +39 0473 055173
info@schoeck.it

Baltic States

Mindaugas Ūmantas
Tel.: +370 618 73005
mindaugas.umantas@schoeck.de

Luxembourg

Schöck Luxembourg
Tel.: +32 9 261 52 75
info@schock-luxembourg.lu

Netherlands

Schöck Nederland b.v.
Tel.: +31 55 526 88 20
info@schock.nl

Norway

HauCon Norge AS
Tel.: +47 31 30 25 00
post@haucon.no

Poland

Schöck Sp. z o.o.
Tel.: +48 22 533 19 22
biuro@schock.pl

Russia

ООО Шёкк
Tel.: +7 495 788 0054
nikolay.pavlov@schoeck.ru

Slovakia

Schöck-Wittek s.r.o.
Tel.: +420 553 788 308
wittek@wittek.cz

Slovenia

Schöck Bauteile
Ges.m.b.H.
Tel.: +386 8 205 22 57
info@schoeck.si

Sweden

Schöck Nederland b.v.
Tel.: +31 55 526 88 20
info@schoeck.se

Schöck's international sales offices and partners ensure your access to our product solutions and expert advice from around the globe. You can contact Schöck directly in 30 countries and on four continents. For all other enquiries our export team at Schöck Bauteile GmbH, in Germany, is at your disposal (see "other countries" below).



Switzerland

Schöck Bauteile AG
Tel.: +41 62 834 00 10
info@schoeck-bauteile.ch

United Kingdom

Schöck Ltd
Tel.: +44 1865 290 890
design@schoeck.co.uk

Asia

Japan

Schoeck Japan CO., Ltd.
Tel.: +81 3-5255-6573
info@schoeckjapan.com

South Korea

Schoeck Korea Inc.
Tel.: +82 10 5328 5246
jerry.lee@schoeck.com

North America

Canada

Schoeck Canada Inc.
Tel.: +1 855 572 4625
info@schock-na.com

United States

Schöck USA Inc.
Tel.: +1 855 572 4625
info@schock-na.com

Australia /Oceania

Australia

Laros Technologies Pty Ltd
Tel.: +61 2 6160 7777
office@laros.com.au

New Zealand

Laros Technologies Pty Ltd.
Tel.: +61 2 6160 7777
office@laros.com.au

Other countries

Schöck Bauteile GmbH

Tel.: +49 7223 967-144
export@schoeck.com

Subject to technical changes
Date of issue: January 2019

Schöck Bauteile GmbH
Vimbucher Strasse 2
76534 Baden-Baden, Germany
Telephone: +49 7223 967-144
Fax: +49 7223 967-7634
export@schoeck.com
www.schoeck.com

LAROS[®]
TECHNOLOGIES
www.laros.com.au 02 6160 7777

The logo graphic for LAROS TECHNOLOGIES consists of a stylized grey square with a white circle inside, and a yellow circle to the right of the square.

 **Schöck**
Dependable by design

The logo graphic for Schöck features a yellow triangle pointing upwards and to the right, with a blue triangle pointing downwards and to the left, forming a diamond shape.